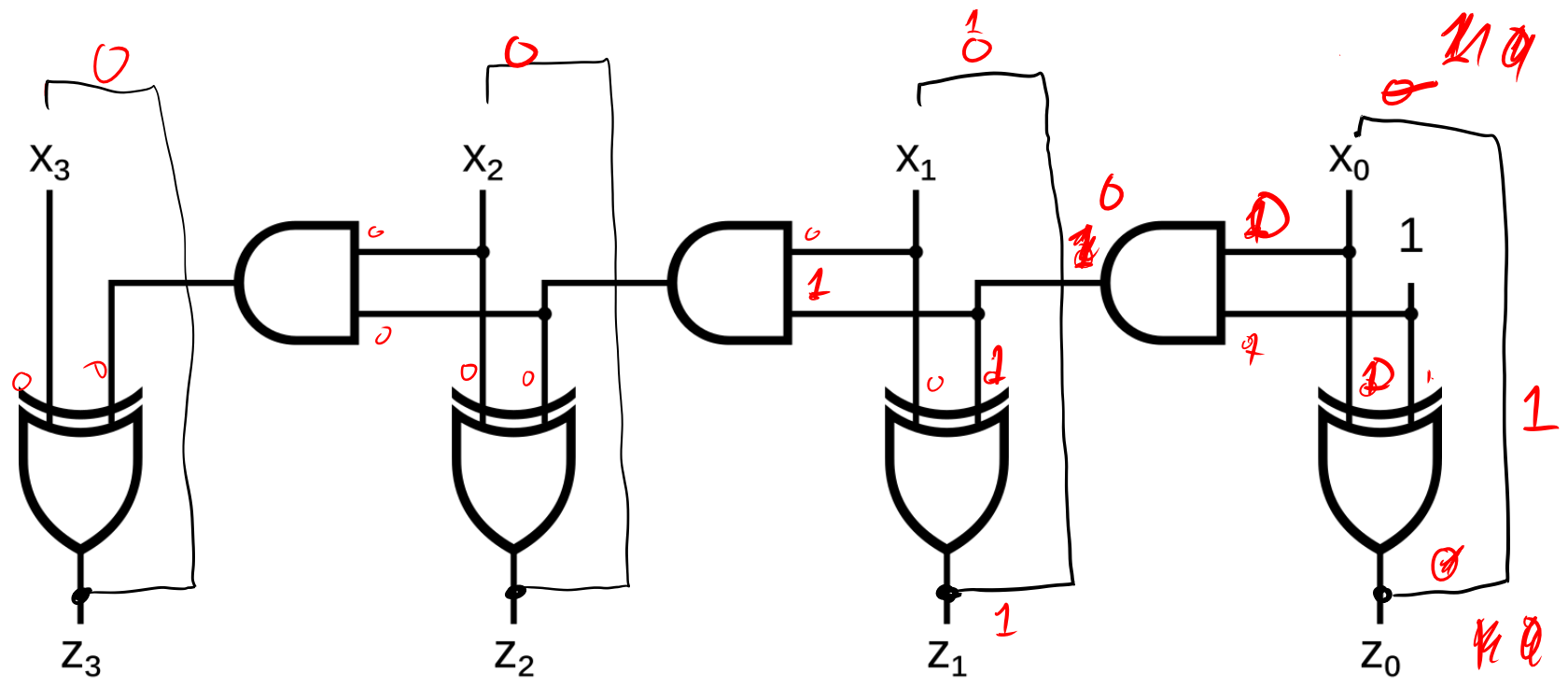
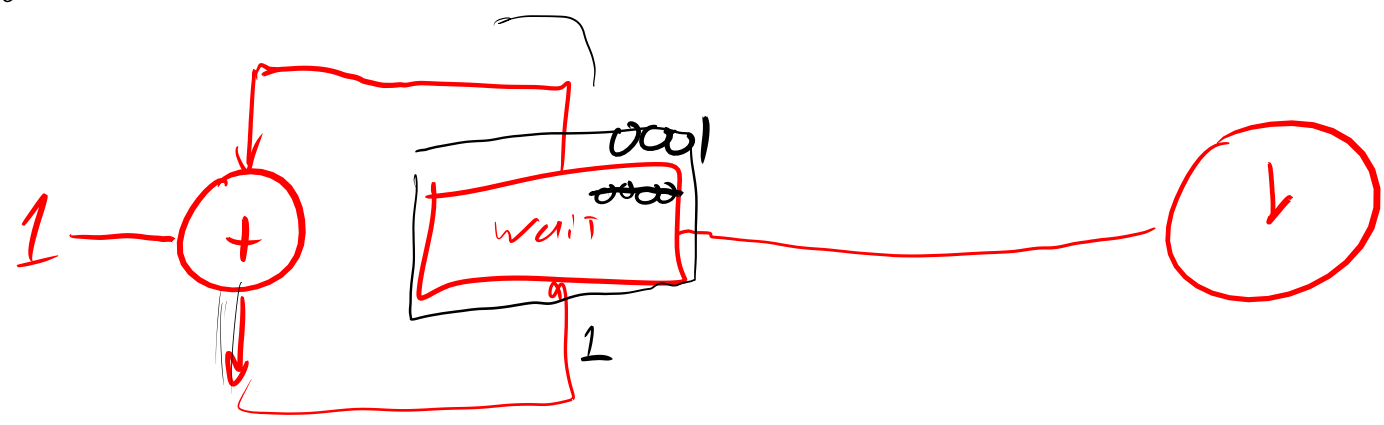


0000
0001
0000
0010

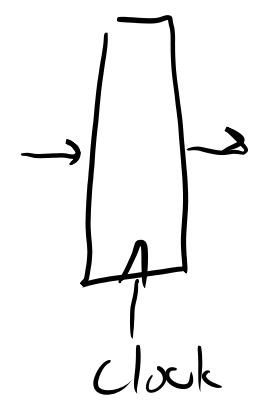


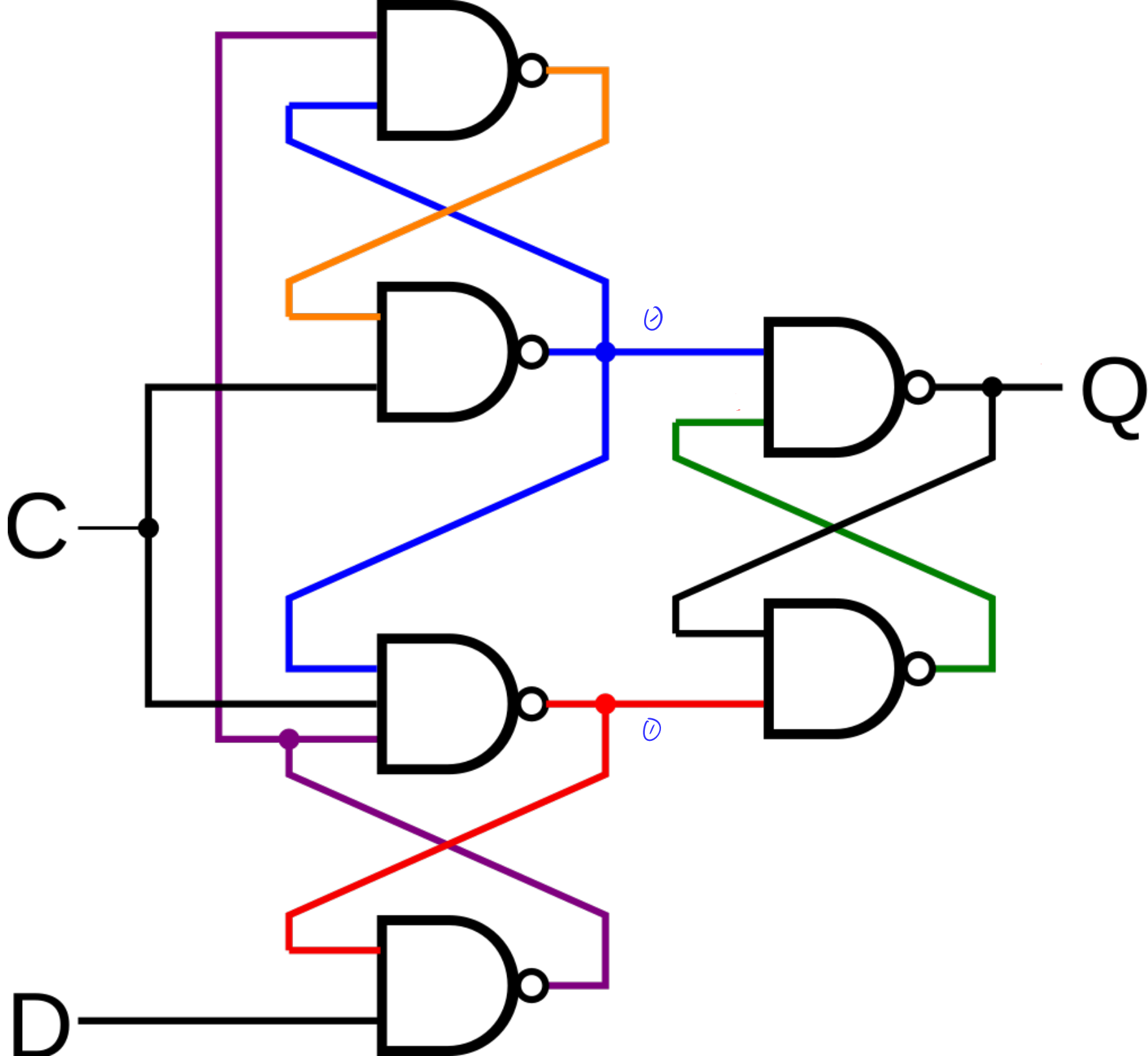
1

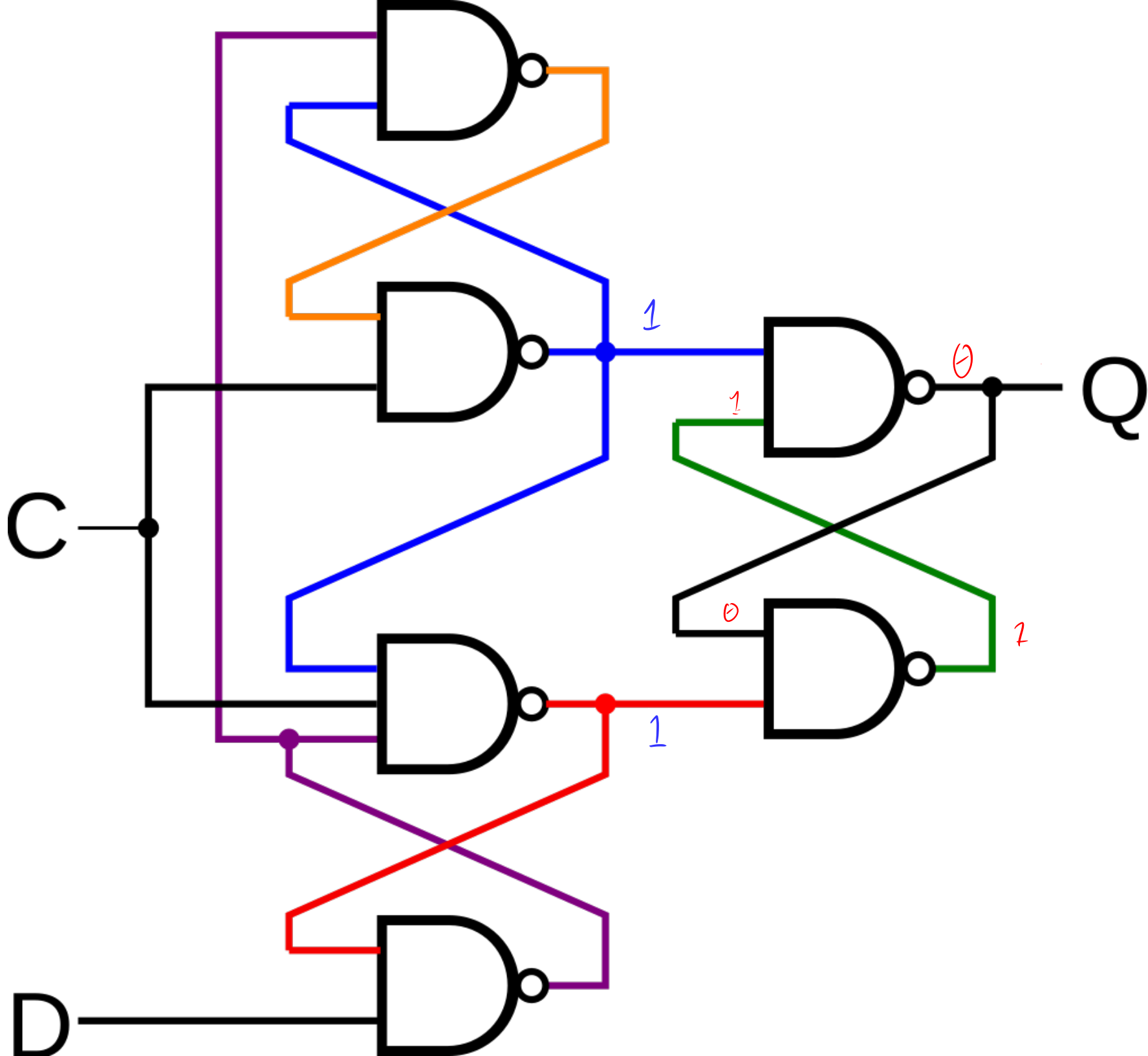
wait, output single value
on a tick,
chan, wait

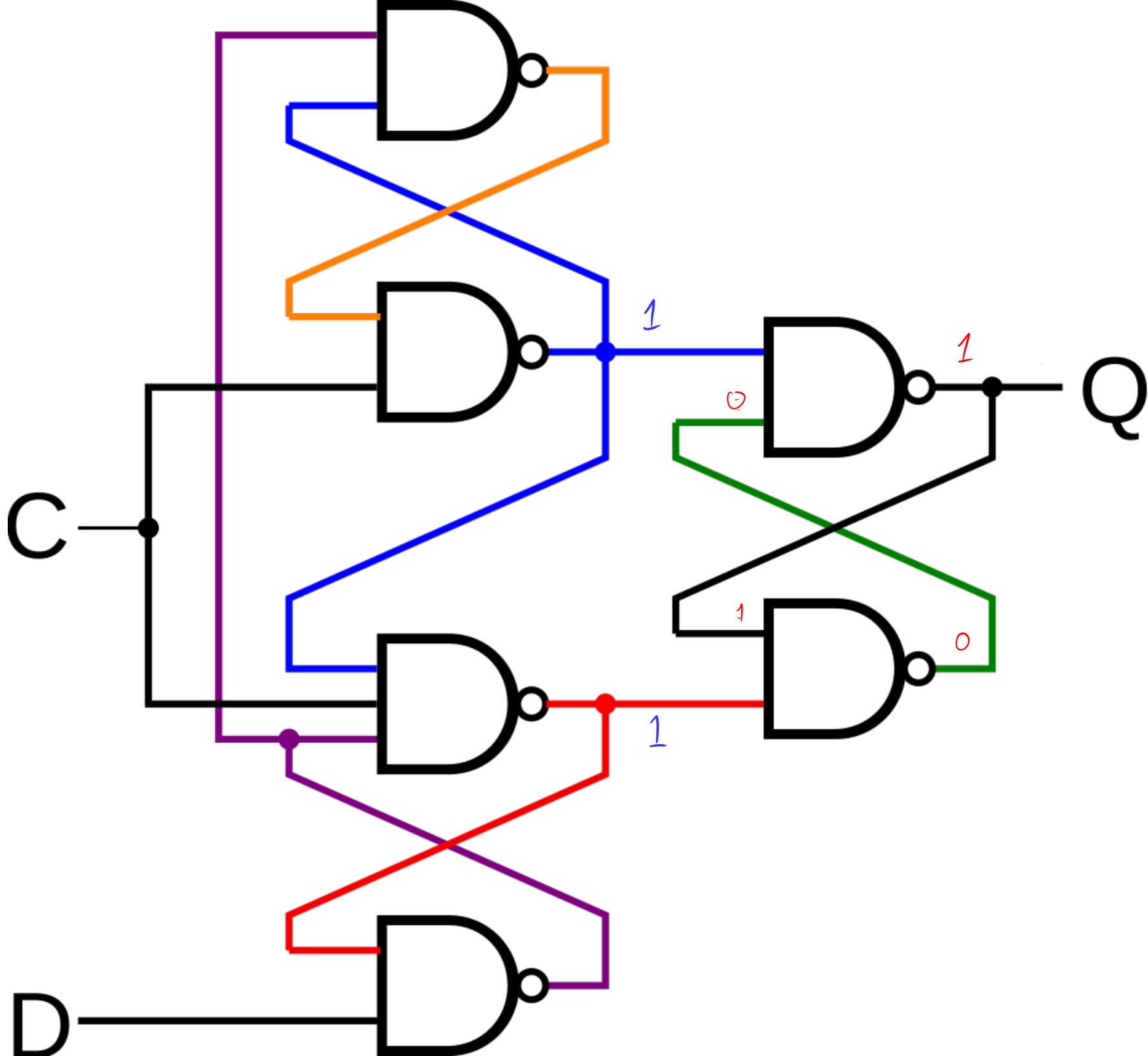


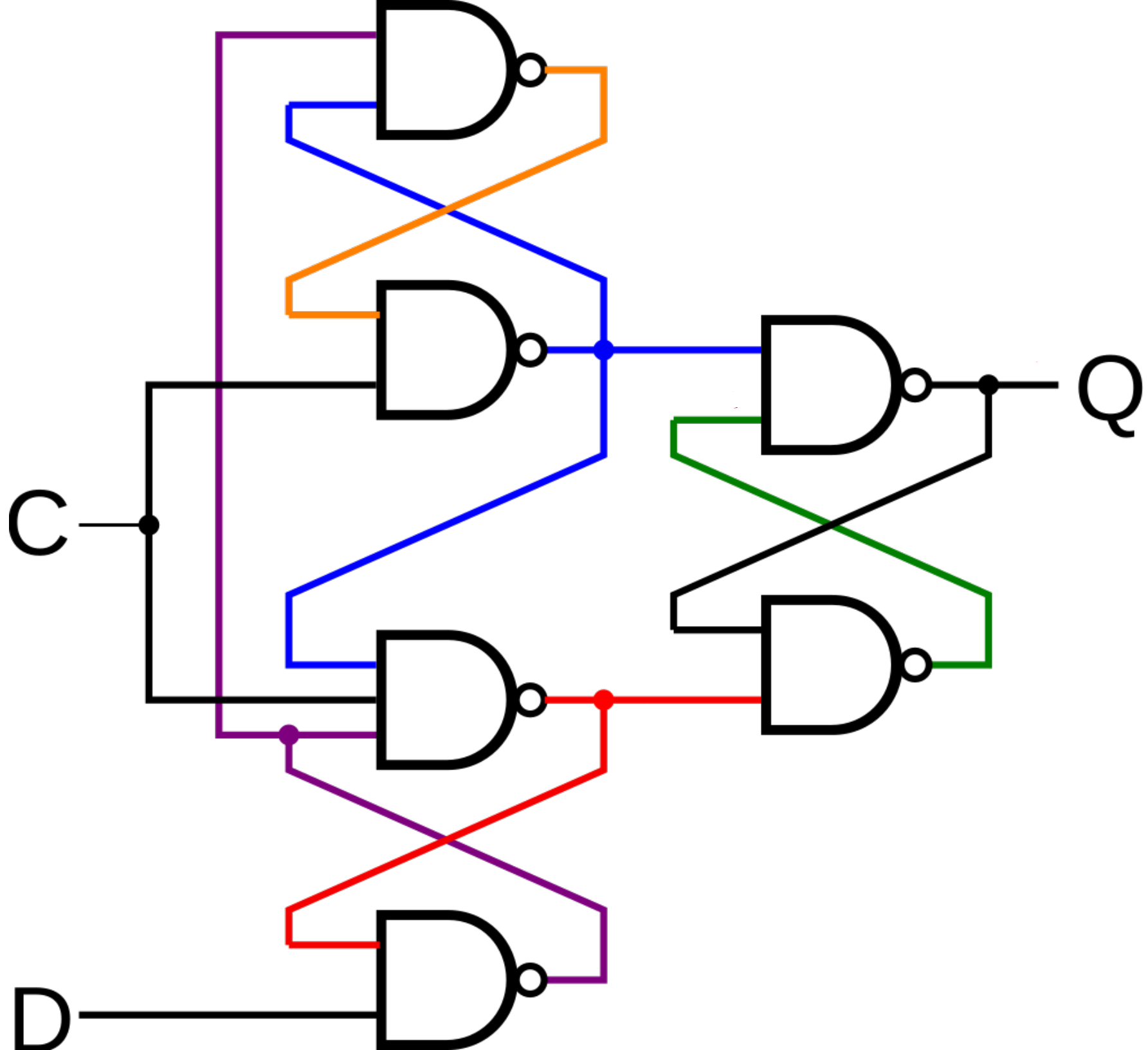
register

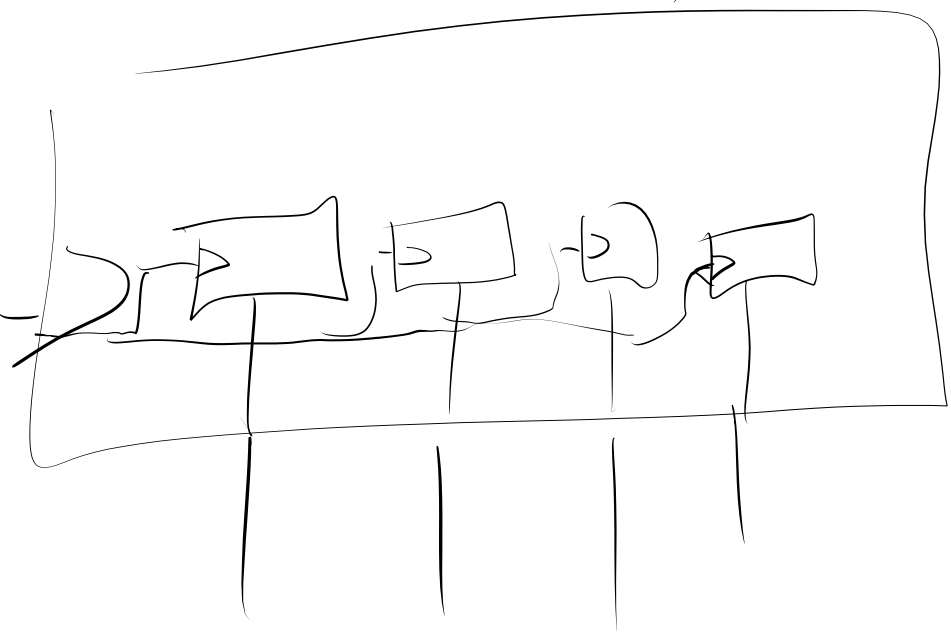
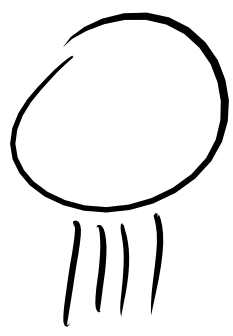
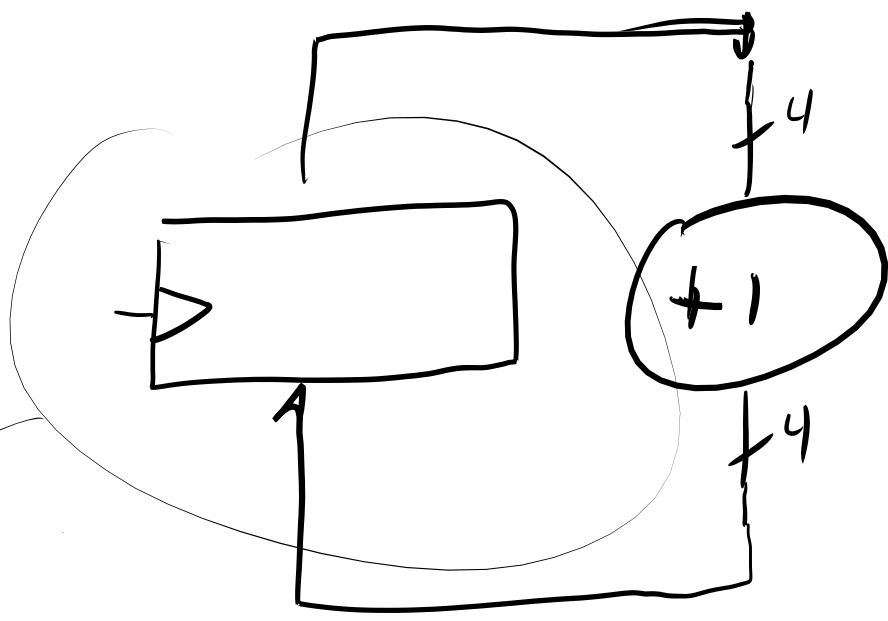


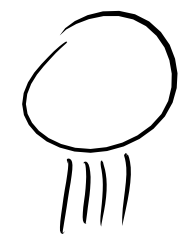
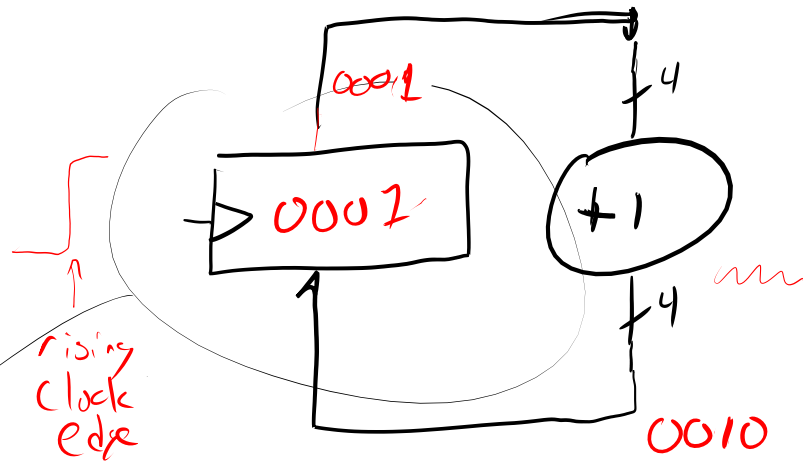






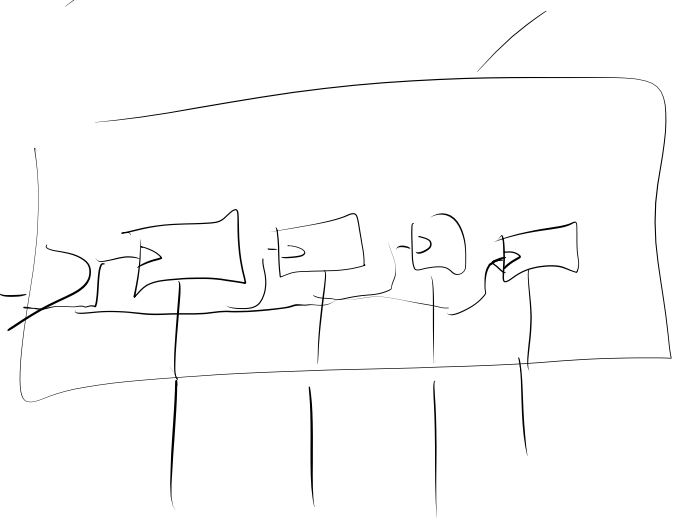






1.6 GHz

$$H_2 = \frac{1}{5}$$



$$1024 \sim K \sim 1000$$

$$1048576 \sim M \sim 1000000$$

$$1073741824 \sim G \sim (1000000000)$$

$$1097511627776 \sim T \sim 1000000000000$$