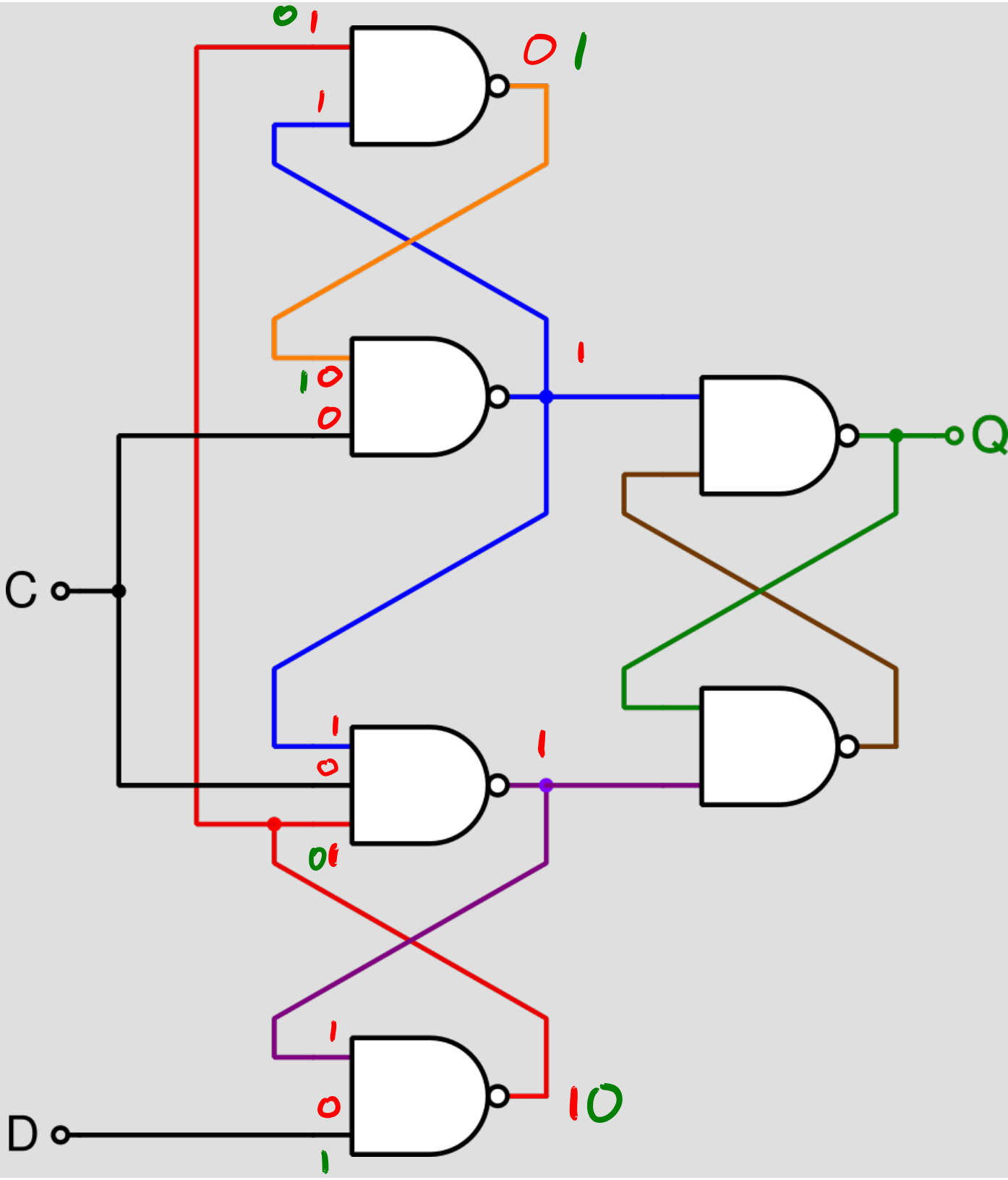
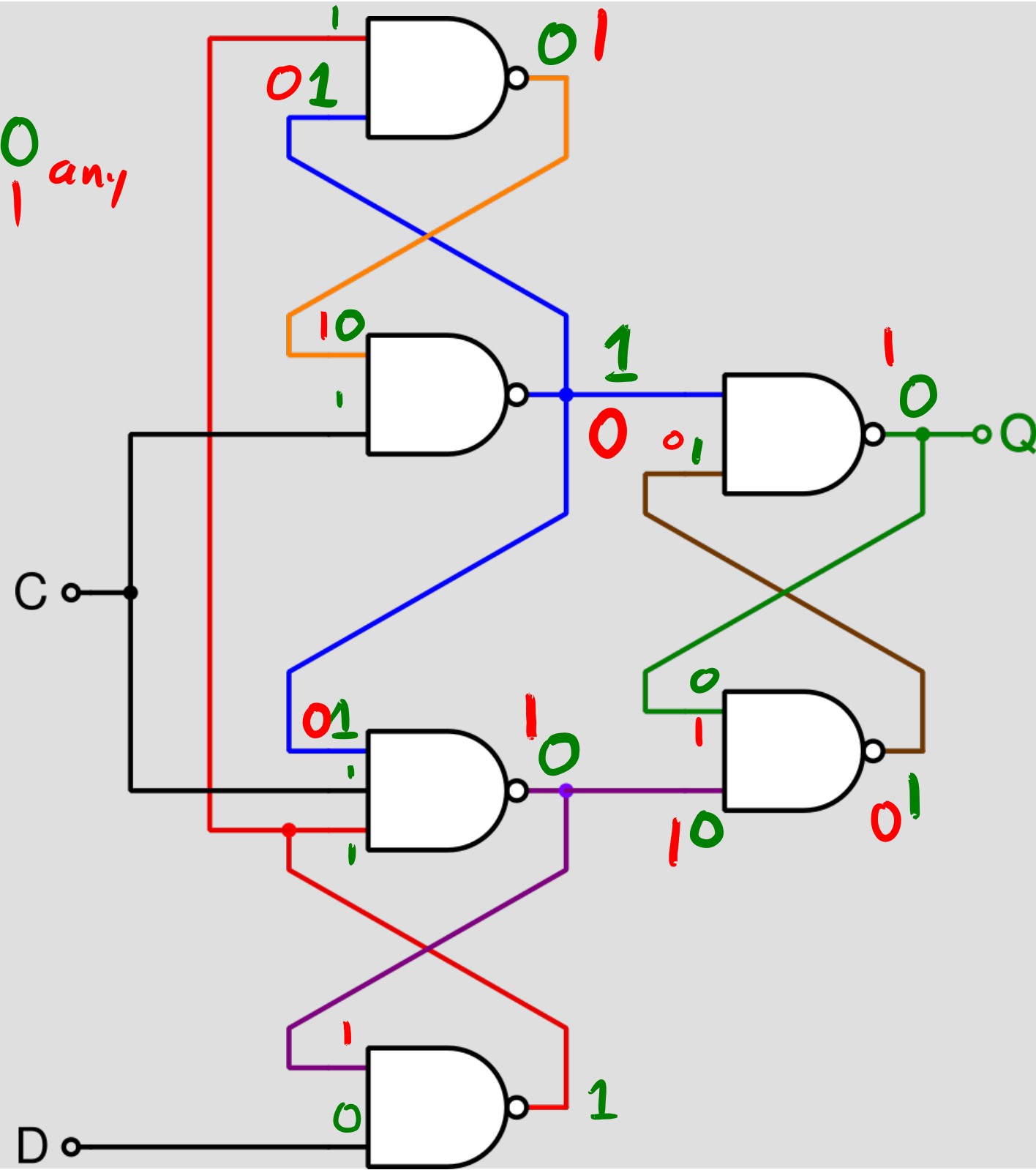


D	C	Q
0	0	any
1	0	any

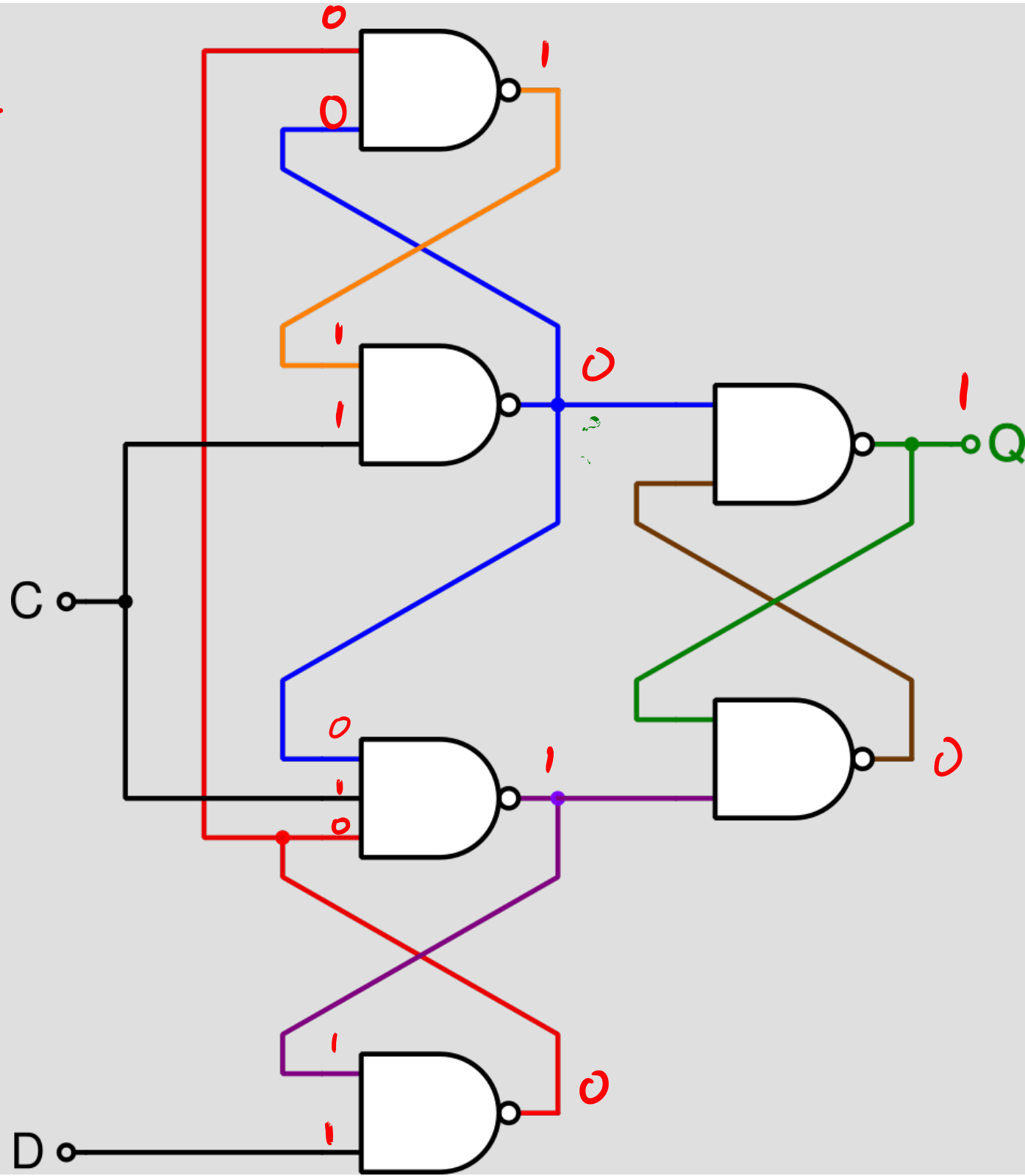


D	C	Q
0	1	

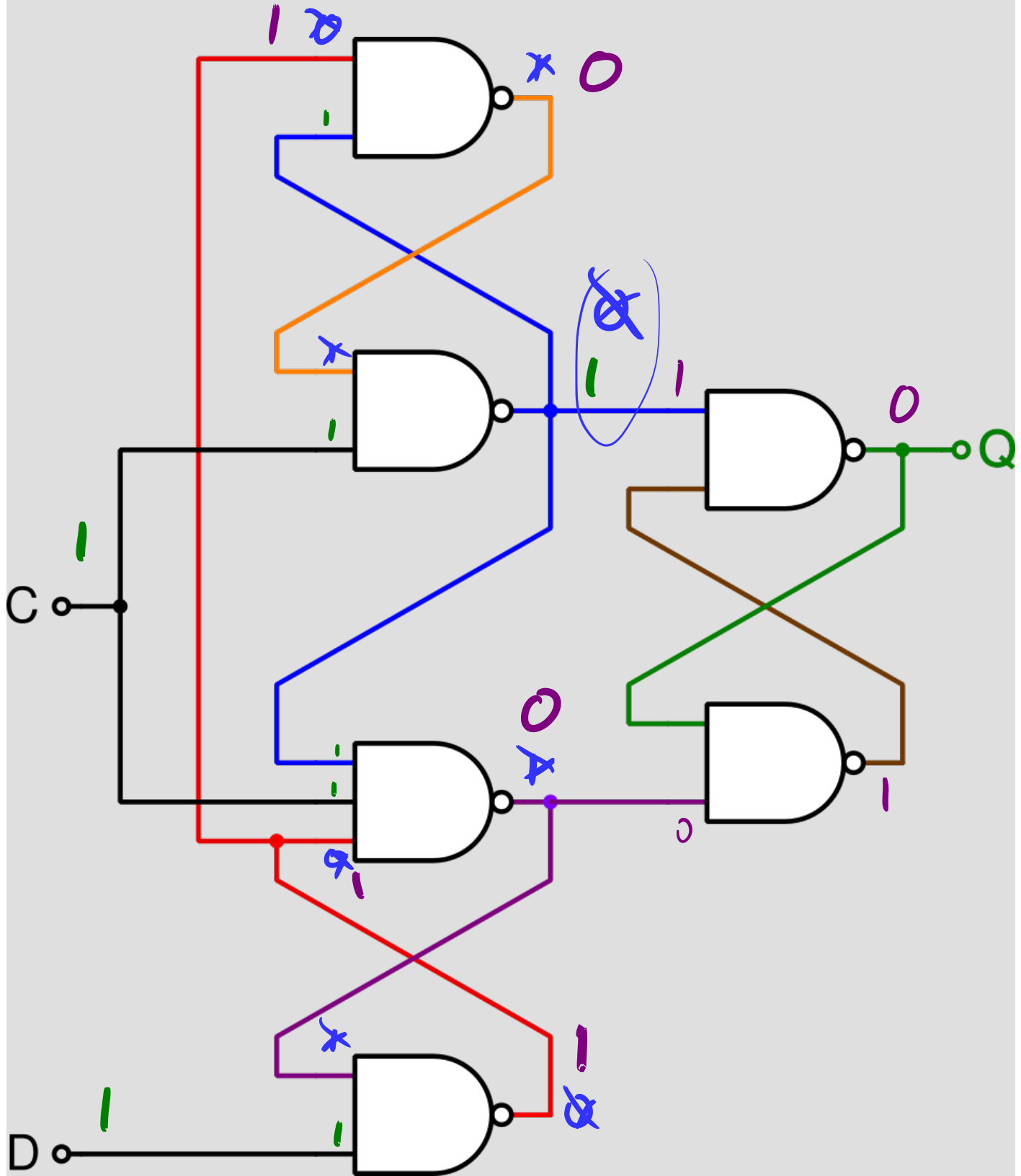
blue 1: 0  
 blue 0: 1 any

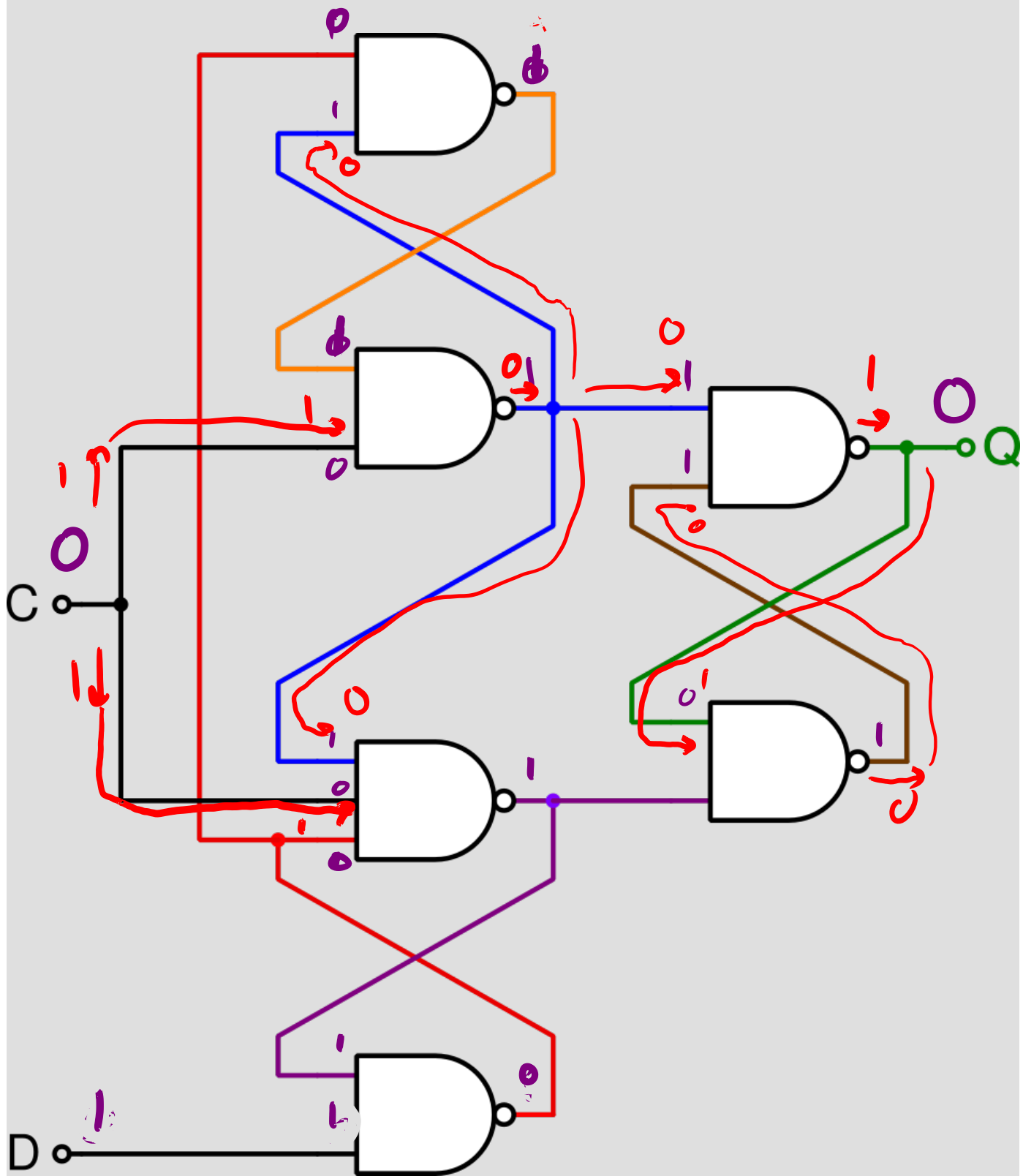


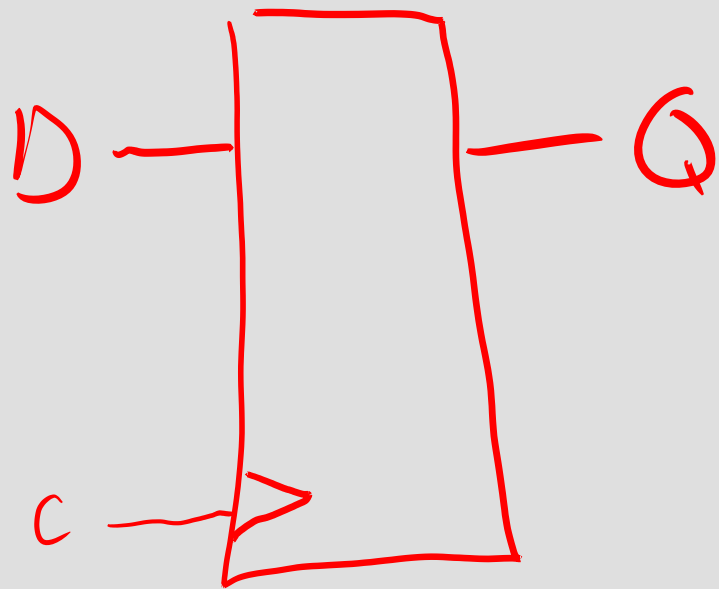
D	C	Q
1	1	any











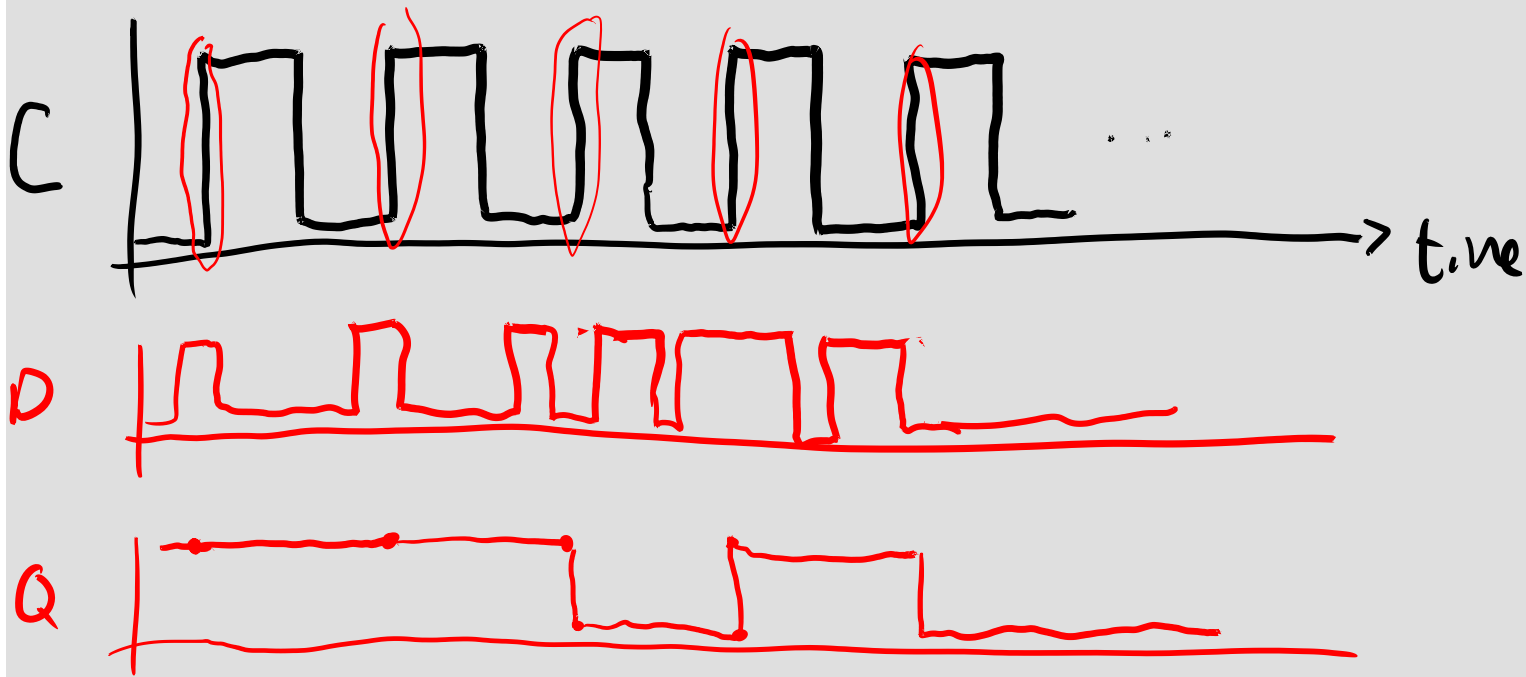
register

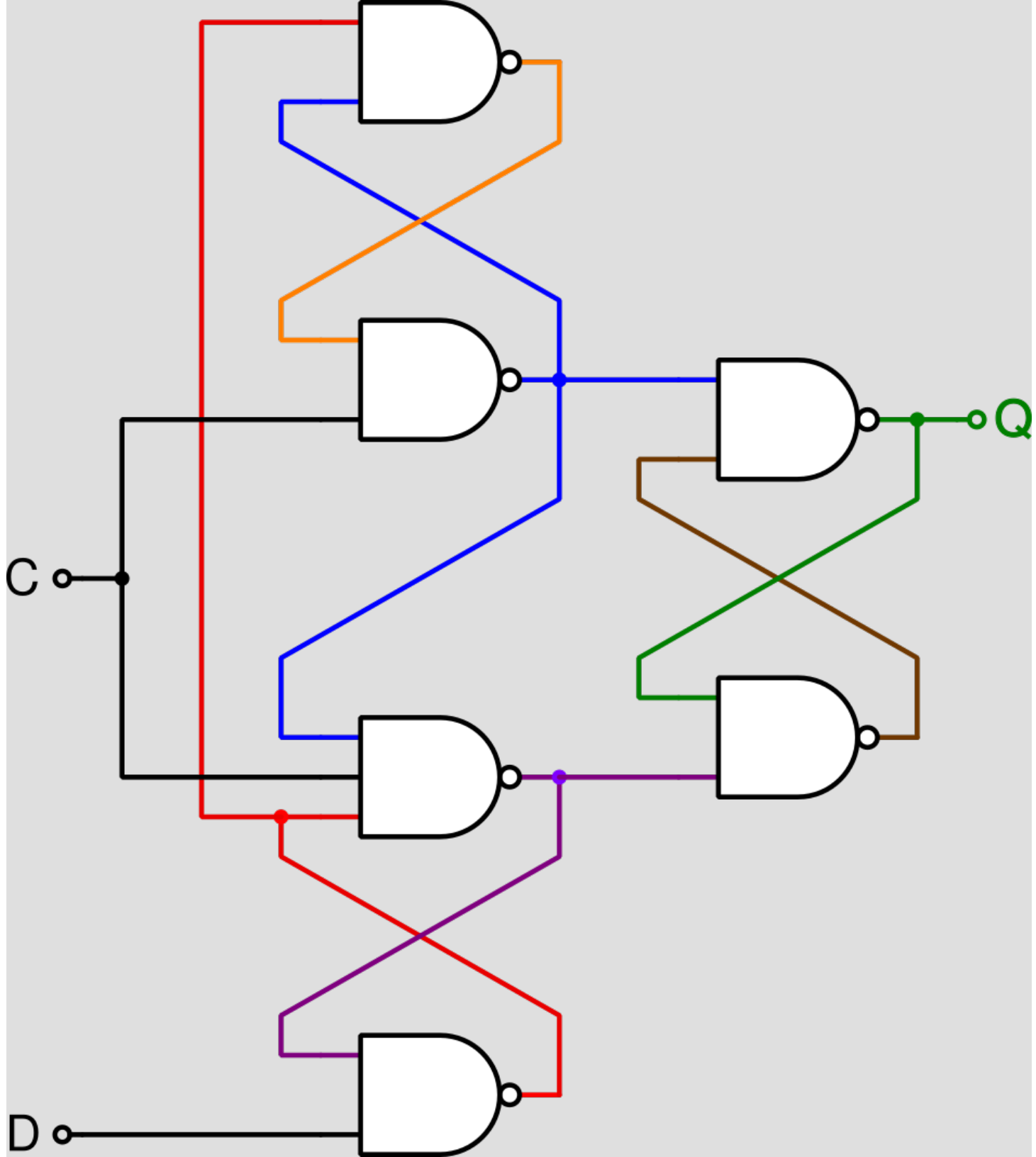
Q stays Q

except:

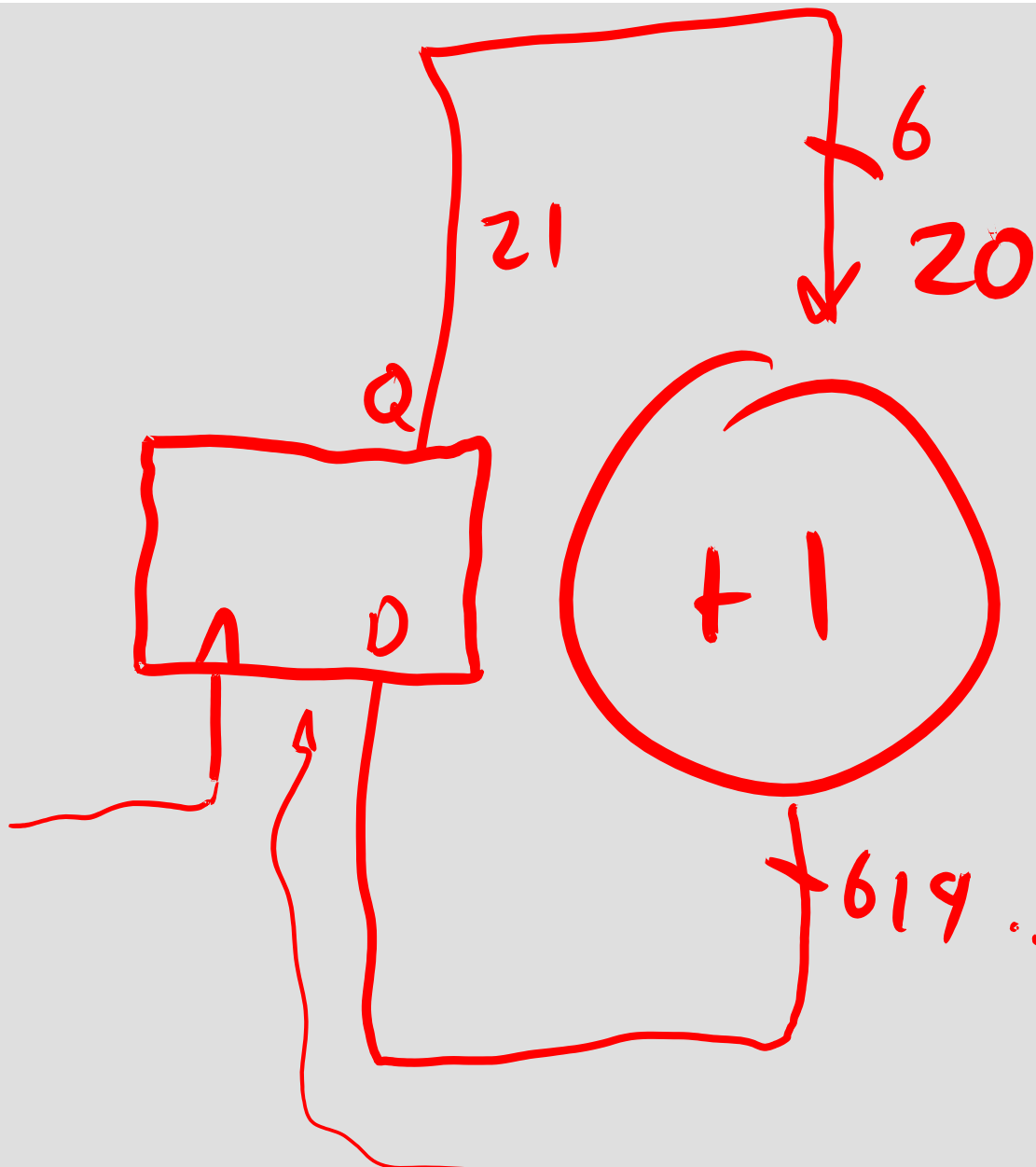
as  $C \ 0 \rightarrow 1$ ,  
Q becomes D

Voltage





(L)



619 ... 21 ... 14 ... 20 ... (21)