

Clocks, Other Hardware

CS 2130: Computer Systems and Organization 1

September 12, 2022

Announcements

- Homework 1 due tonight!
- Homework 2 available tomorrow (and in class on Wednesday)

Quiz Review

$$0xCA = \underbrace{1100}_c \underbrace{1010}_a$$

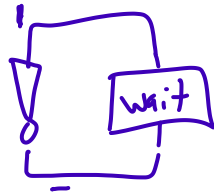
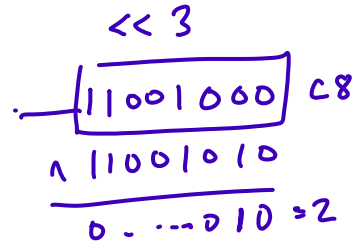
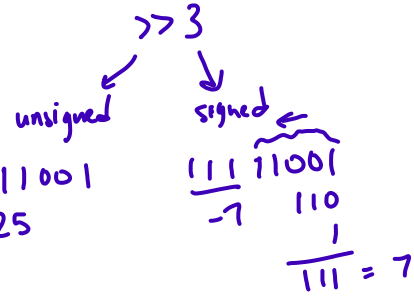
$$\rightarrow \underbrace{00011001}_{-a} = 25$$

$$a + (na + 1) = 0$$

$$a + \sim a = -1$$

$$-10110000 = -1.001 \times 2^7$$

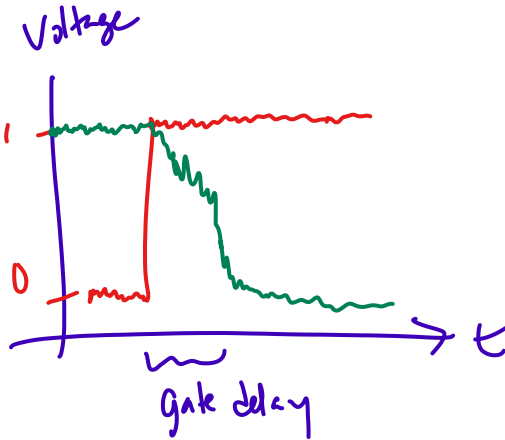
$$11110011$$



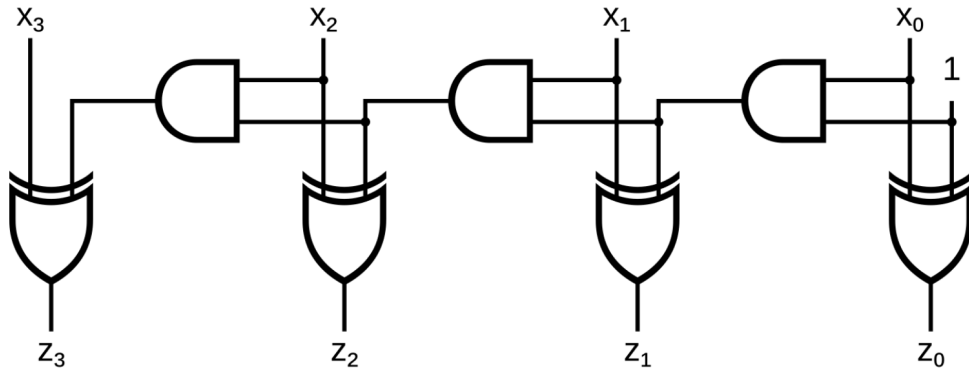
$q = 0xb2e6e$ & $0xf0f0f$
 $6p0e0e$
 $(q >> 4) \& 0xf0f0f$ $\frac{+0x0b0b}{\square}$

Gate Delay

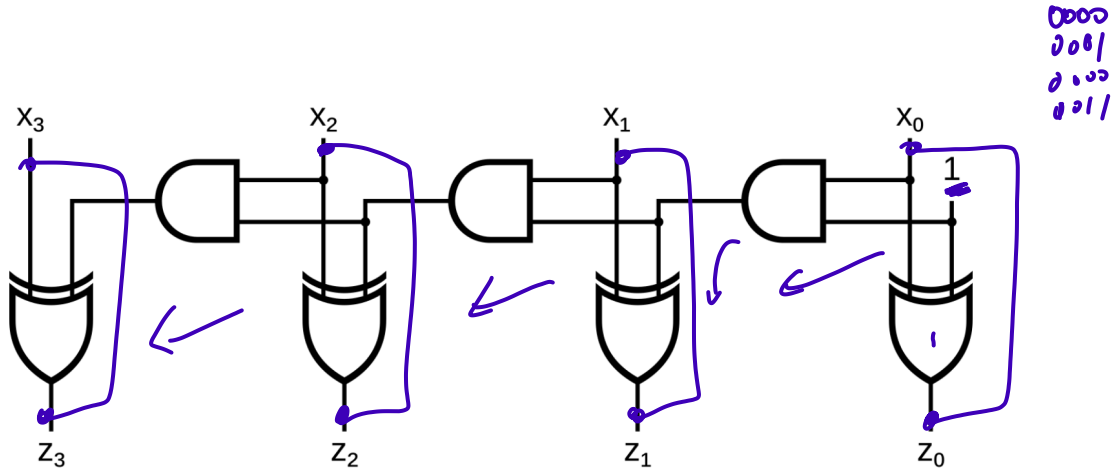
What happens when I change my input?



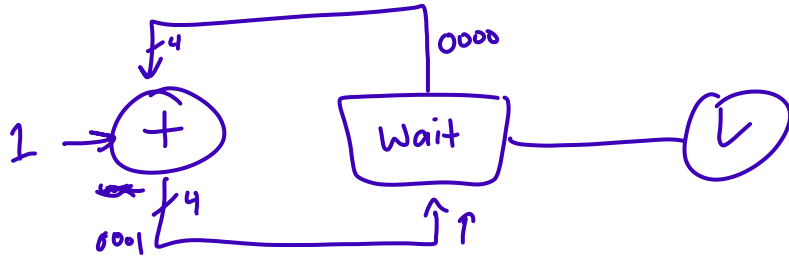
Increment Circuit



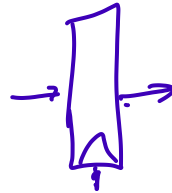
Building a Counter



Building a Counter

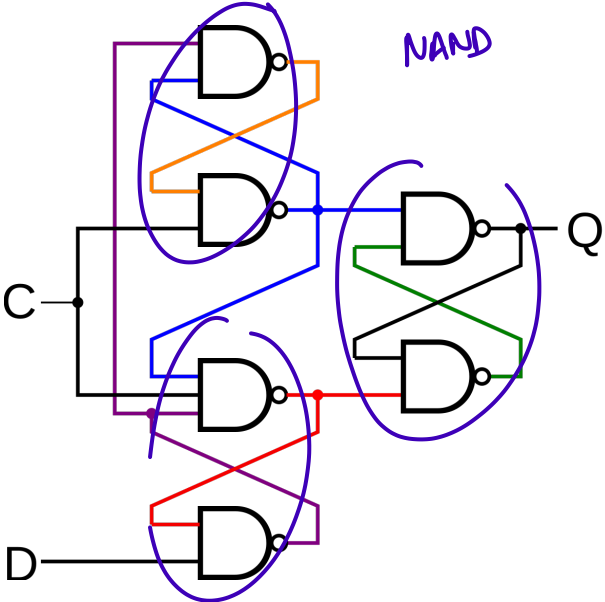


register

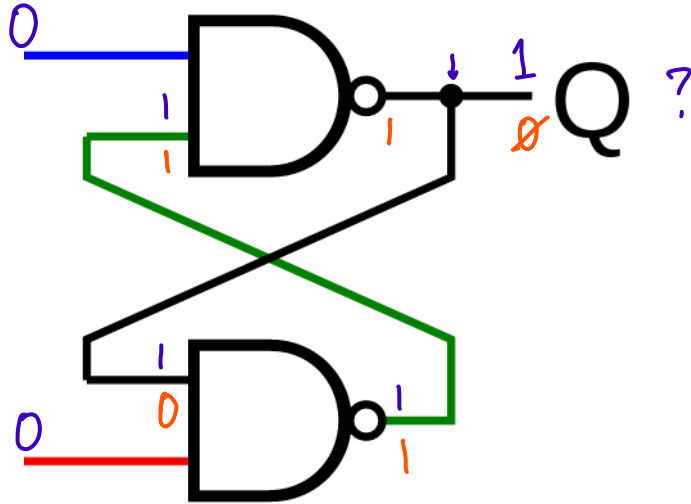


Building a Counter - Waiting

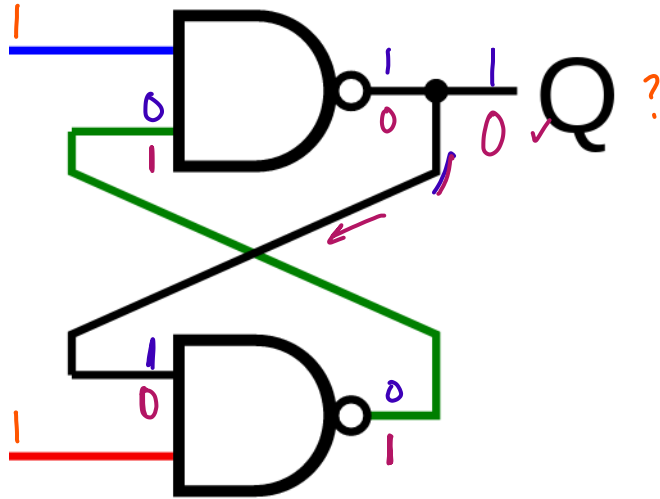
1-bit Register Circuit



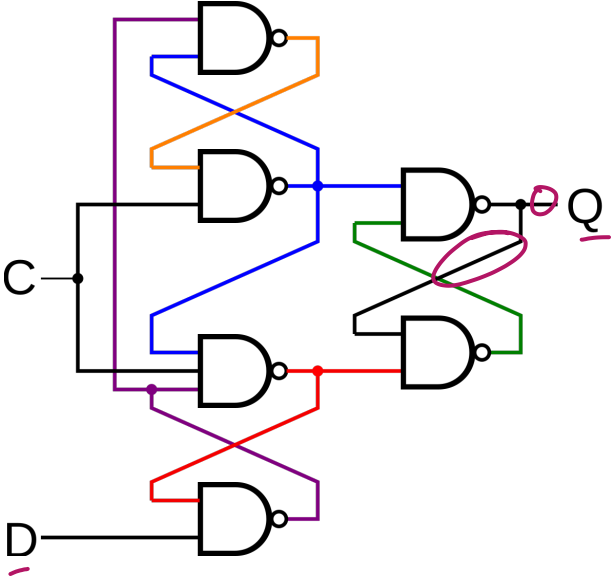
1-bit Register Circuit



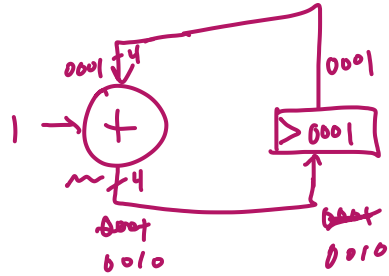
1-bit Register Circuit



1-bit Register Circuit



Building a Counter



]

